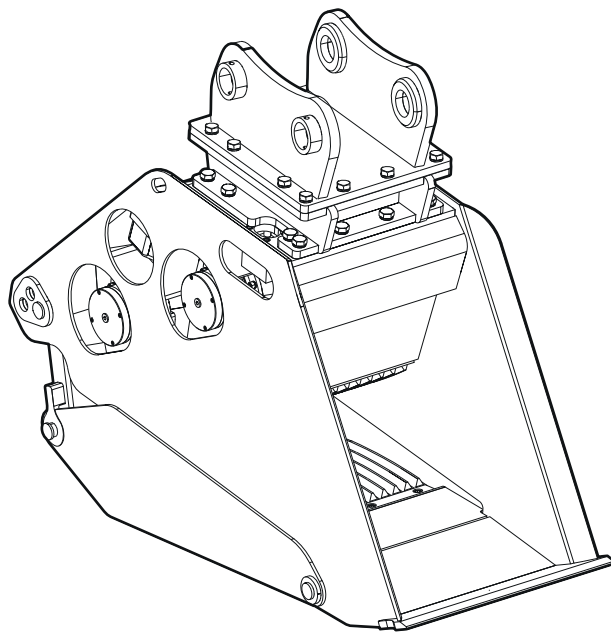


BC 2500

Spare parts list Bucket crusher

BC 2500 s/n DEQ209344 -



General information

This spare parts list applies to the following:

Part number	Description
3363117988	Bucket crusher BC 2500 parallel with intermediate plate
3363123605	Bucket crusher BC 2500 cross with intermediate plate
3363121330	Bucket crusher BC 2500 parallel without intermediate plate
3363123609	Bucket crusher BC 2500 cross without intermediate plate

Use only authorized parts. Any damage or malfunction caused by the use of unauthorized parts is not covered by Warranty or Product Liability. Any unauthorized use or copying of the contents or any part thereof is prohibited. This applies in particular to trademarks, model denominations, part numbers, and drawings.

Instructions for use

This spare parts list contains no safety regulations and is merely intended to assist in the ordering of spare parts.

For information about operating, servicing, or repairing, the relevant Safety and operating instructions must be consulted at all costs.

Please observe the safety instructions listed in the relevant Safety and operating instructions!

Instructions for ordering

It is essential to indicate the serial number of the hydraulic attachment when ordering spare parts!

Please note the full identification number of your hydraulic attachment.

Determine the quantity of individual parts which are required and need to be ordered. The order must indicate the following details:

- full identification code of the hydraulic attachment
- required quantity
- part number
- description

Service, repair and wear part kits

Kit list 1

Mechanical

Bucket with intermediate plate 3
Bucket without intermediate plate 5
Mobile support parallel, new version 7
Mobile support parallel, old version 9
Mobile support cross, new version 11
Mobile support cross, old version 13
Lower support 15
Inner hydraulic hoses 17
Optional parts 19
Tightening torques 21
Dimensions with intermediate plate 23
Dimensions without intermediate plate 24

Options / accessories

Hydraulic hoses 26
Optional equipment 29

Service, repair and wear part kits Kit list

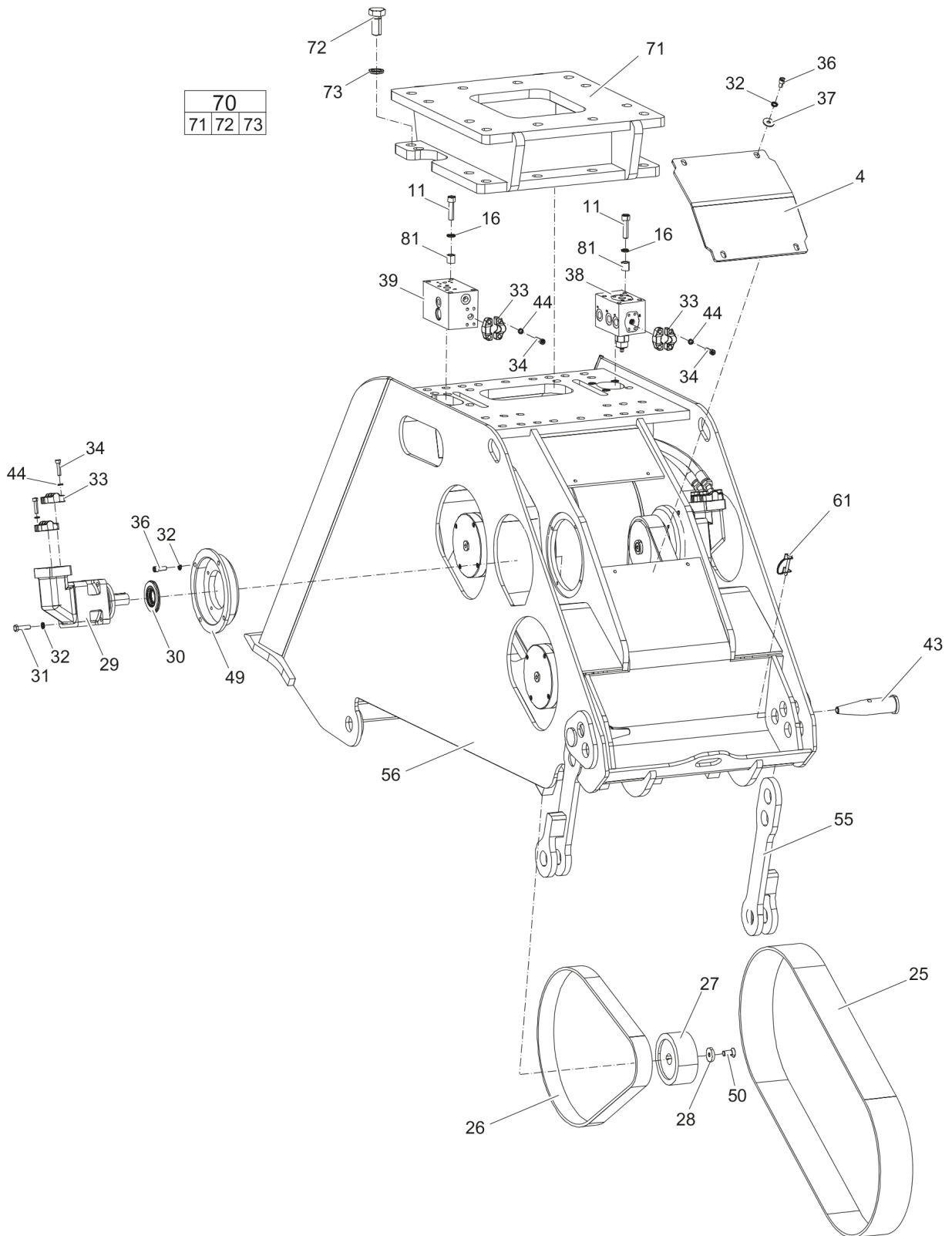
NO EXPLODED VIEW
AVAILABLE
FOR THIS BOM

Item	Part No.	Name	Qty	L
KIT	3363118423	Label kit	1	
30	3363118405	Seal kit (Hydraulic motor)	2	
109(110-117)	3363118432	Hydraulic hose kit	1	A
110	3363118424	Hydraulic hose	1	
111	3363118425	Hydraulic hose	1	
112	3363118426	Hydraulic hose	1	
113	3363118427	Hydraulic hose	1	
114	3363118428	Hydraulic hose	1	
115	3363118429	Hydraulic hose	1	
116	3363118430	Hydraulic hose	1	
117	3363118431	Hydraulic hose	1	

Comments for Page: Kit list

A | Inner hydraulic hoses

Mechanical Bucket with intermediate plate



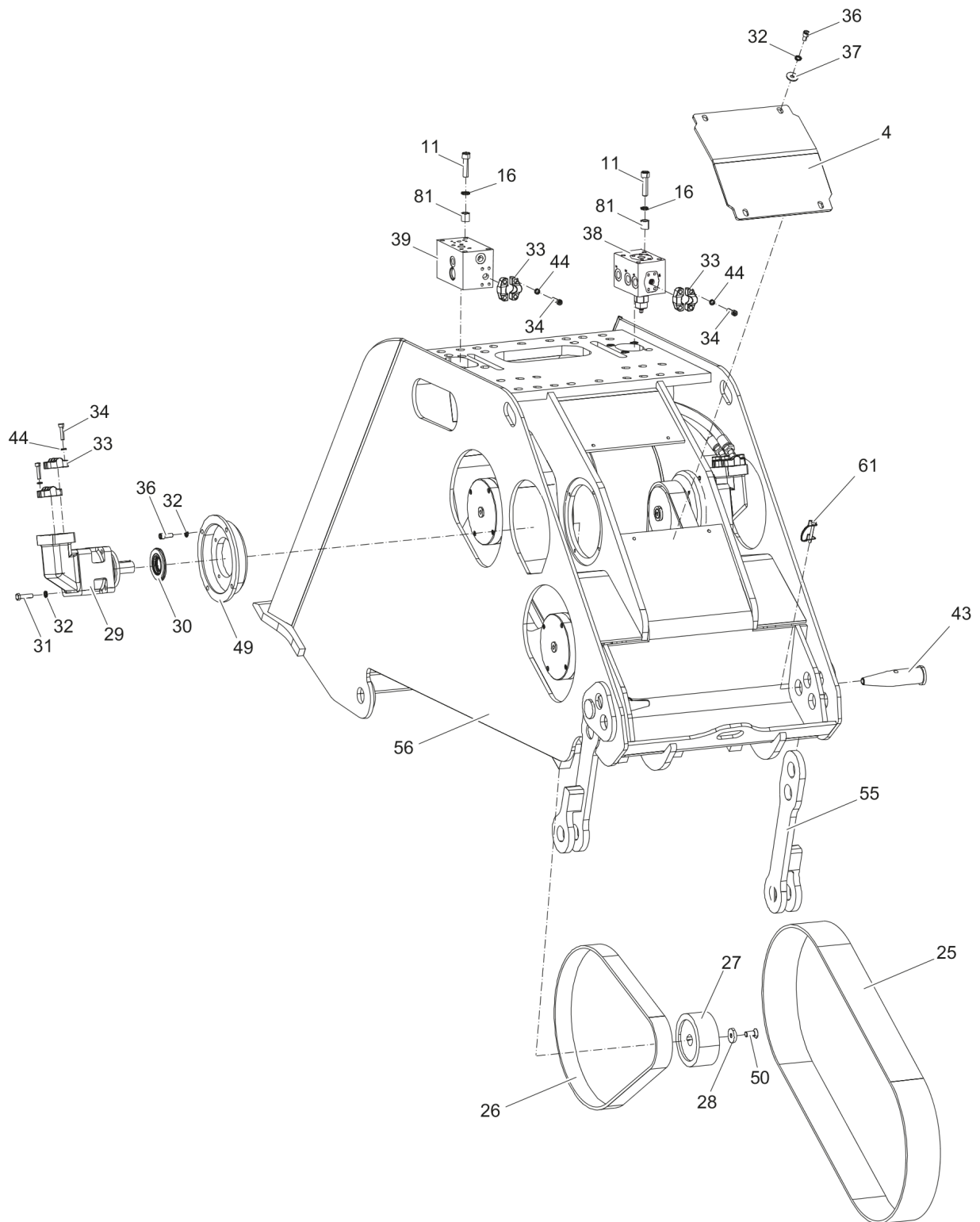
Item	Part No.	Name	Qty	L
4	3363118389	Gear cover	1	
11	3363118386	Allen screw	8	
16	3361333703	Pair of lock washers	8	
25	3363118400	Main timing belt	1	
26	3363118401	Secondary timing belt	2	
27	3363118402	Gear	2	
28	3363118403	Washer	2	
29	3363118404	Hydraulic motor	2	
30	3363118405	Seal kit (Hydraulic motor)	2	
31	3362328039	Allen screw	8	
32	3361850596	Pair of lock washers	20	
33	3360995664	Flange half	12	
34	3363118433	Allen screw	24	
36	3363118434	Allen screw	12	
37	3363118407	Washer	4	
38	3363125236	Flow valve	1	A
39	3363118409	Valve block	1	B
43	3363118412	Pin	2	
44	3361850745	Pair of lock washers	24	
49	3363118415	Support	2	
50	3363091047	Flat head socket bolt	2	
55	3363118416	Tensioner fork	2	
56	3363118417	Housing	1	
61	3363118420	Locking pin	2	
70(71-73)	3363118435	Intermediate plate complete	1	
71		Intermediate plate	1	
72	3363089342	Hexagonal head bolt	12	
73	3361850747	Pair of lock washers	12	
81	3363118422	Spacer	8	

Comments for Page: Bucket with intermediate plate

A | Working valve block

B | Return valve block

Mechanical Bucket without intermediate plate



Refer to the DocMine web page for most up-to-date information. The printed information might be outdated.
Thu Mar 31 11:11:55 UTC 2022

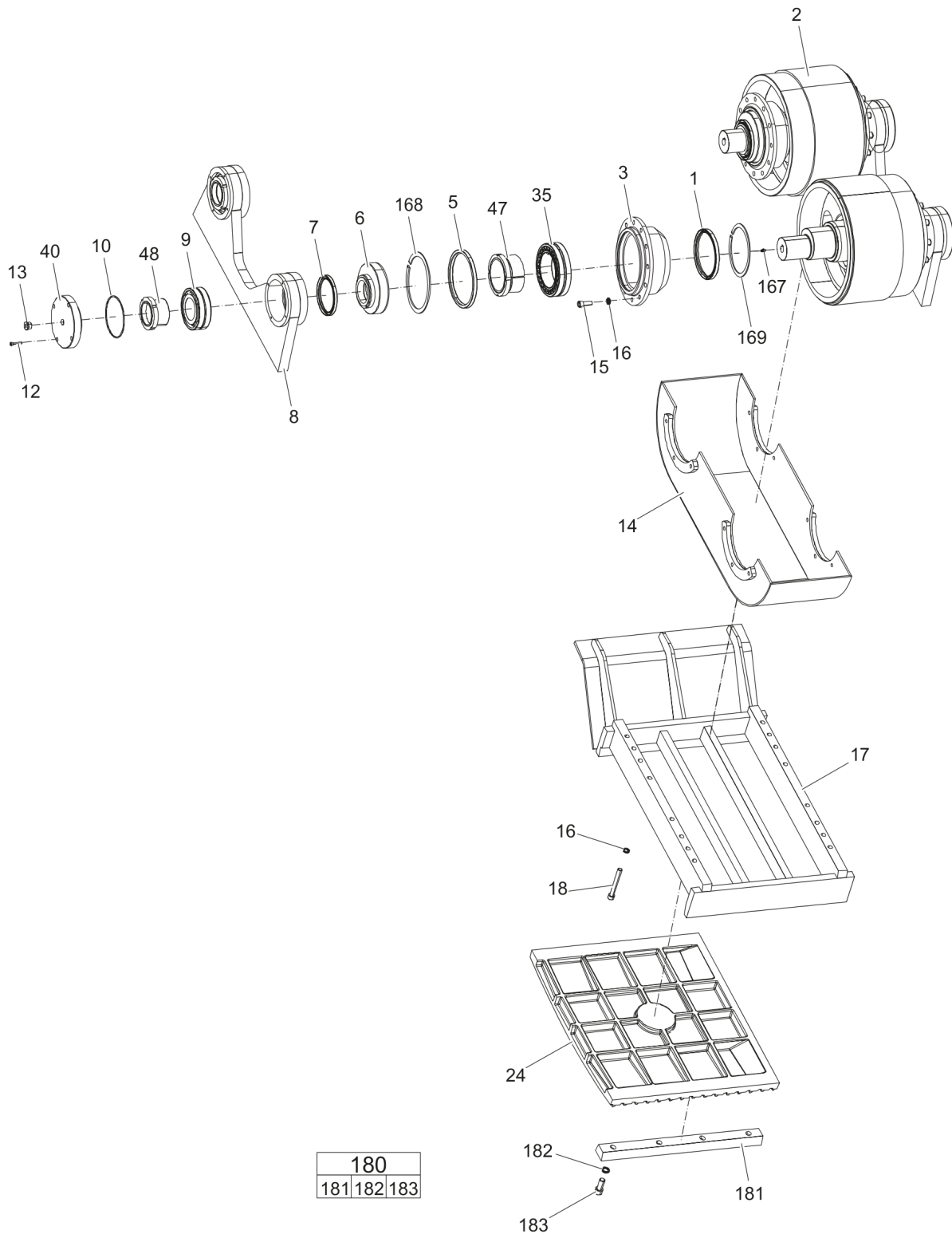
Item	Part No.	Name	Qty	L
4	3363118389	Gear cover	1	
11	3363118386	Allen screw	8	
16	3361333703	Pair of lock washers	8	
25	3363118400	Main timing belt	1	
26	3363118401	Secondary timing belt	2	
27	3363118402	Gear	2	
28	3363118403	Washer	2	
29	3363118404	Hydraulic motor	2	
30	3363118405	Seal kit (Hydraulic motor)	2	
31	3362328039	Allen screw	8	
32	3361850596	Pair of lock washers	20	
33	3360995664	Flange half	12	
34	3363118433	Allen screw	24	
36	3363118434	Allen screw	12	
37	3363118407	Washer	4	
38	3363125236	Flow valve	1	A
39	3363118409	Valve block	1	B
43	3363118412	Pin	2	
44	3361850745	Pair of lock washers	24	
49	3363118415	Support	2	
50	3363091047	Flat head socket bolt	2	
55	3363118416	Tensioner fork	2	
56	3363118417	Housing	1	
61	3363118420	Locking pin	2	
81	3363118422	Spacer	8	

Comments for Page: Bucket without intermediate plate

A | Working valve block

B | Return valve block

Mechanical Mobile support parallel, new version

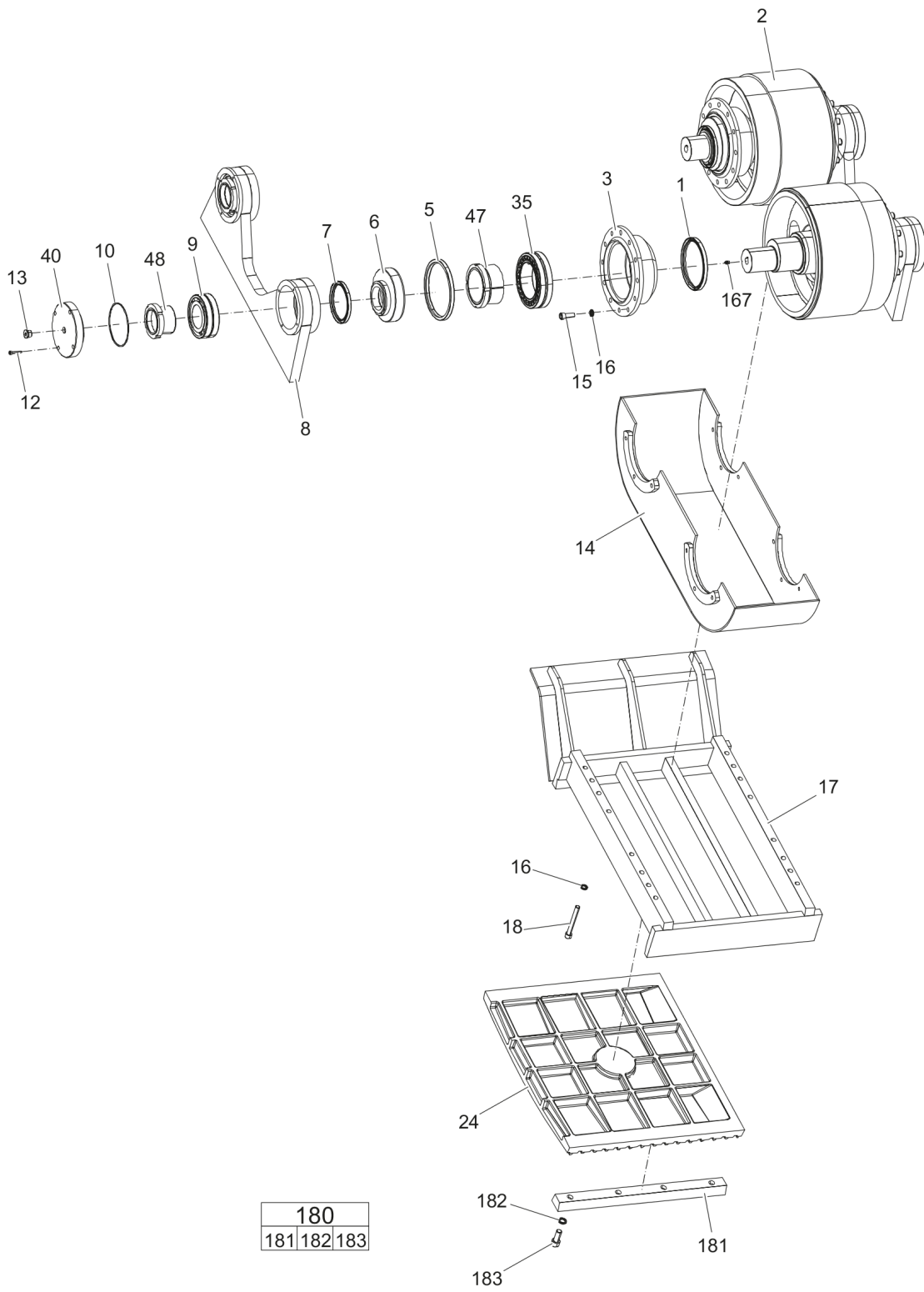


Item	Part No.	Name	Qty	L
1	3363118383	Seal	4	
2	3363118387	Drive shaft	2	
3	3363126259	Flange	4	
5	3363118384	Seal	4	
6	3363118390	Seal support	4	
7	3363118385	Seal	4	
8	3363118391	Bridge part	2	
9	3363118392	Bearing	4	
10	3363118393	Seal	4	
12	0211132700	CAP SCREW	16	
13	3363118394	Allen plug	4	
14	3363118395	Transmission housing	1	
15	3363118382	Allen screw	40	
16	3361333703	Pair of lock washers	56	
17	3363118396	Mobile support	1	
18	3363118419	Allen screw	16	
24	3363118397	Jaw	1	A
35	3363118406	Bearing	4	
40	3363118410	Cover	4	
47	3363118413	Sleeve	4	
48	3363118414	Sleeve	4	
167	3363126834	Grease nipple	4	
169	3363126258	Circlip	4	
168	3363126260	Circlip	4	
180(181-183)	3363118374	Wedge complete	1	
181		Wedge	1	
182	3361850748	Pair of lock washers	4	
183	3363094902	Allen screw	4	

Comments for Page: Mobile support parallel, new version

A | parallel

Mechanical Mobile support parallel, old version



Item	Part No.	Name	Qty	L
1	3363118383	Seal	4	
2	3363118387	Drive shaft	2	
3	3363118388	Flange	4	A
5	3363118384	Seal	4	
6	3363118390	Seal support	4	
7	3363118385	Seal	4	
8	3363118391	Bridge part	2	
9	3363118392	Bearing	4	
10	3363118393	Seal	4	
12	0211132700	CAP SCREW	16	
13	3363118394	Allen plug	4	
14	3363118395	Transmission housing	1	
15	3363118382	Allen screw	40	
16	3361333703	Pair of lock washers	56	
17	3363118396	Mobile support	1	
18	3363118419	Allen screw	16	
24	3363118397	Jaw	1	B
35	3363118406	Bearing	4	
40	3363118410	Cover	4	
47	3363118413	Sleeve	4	
48	3363118414	Sleeve	4	
167	3363126834	Grease nipple	4	
180(181-183)	3363118374	Wedge complete	1	
181		Wedge	1	
182	3361850748	Pair of lock washers	4	
183	3363094902	Allen screw	4	

Comments for Page: Mobile support parallel, old version

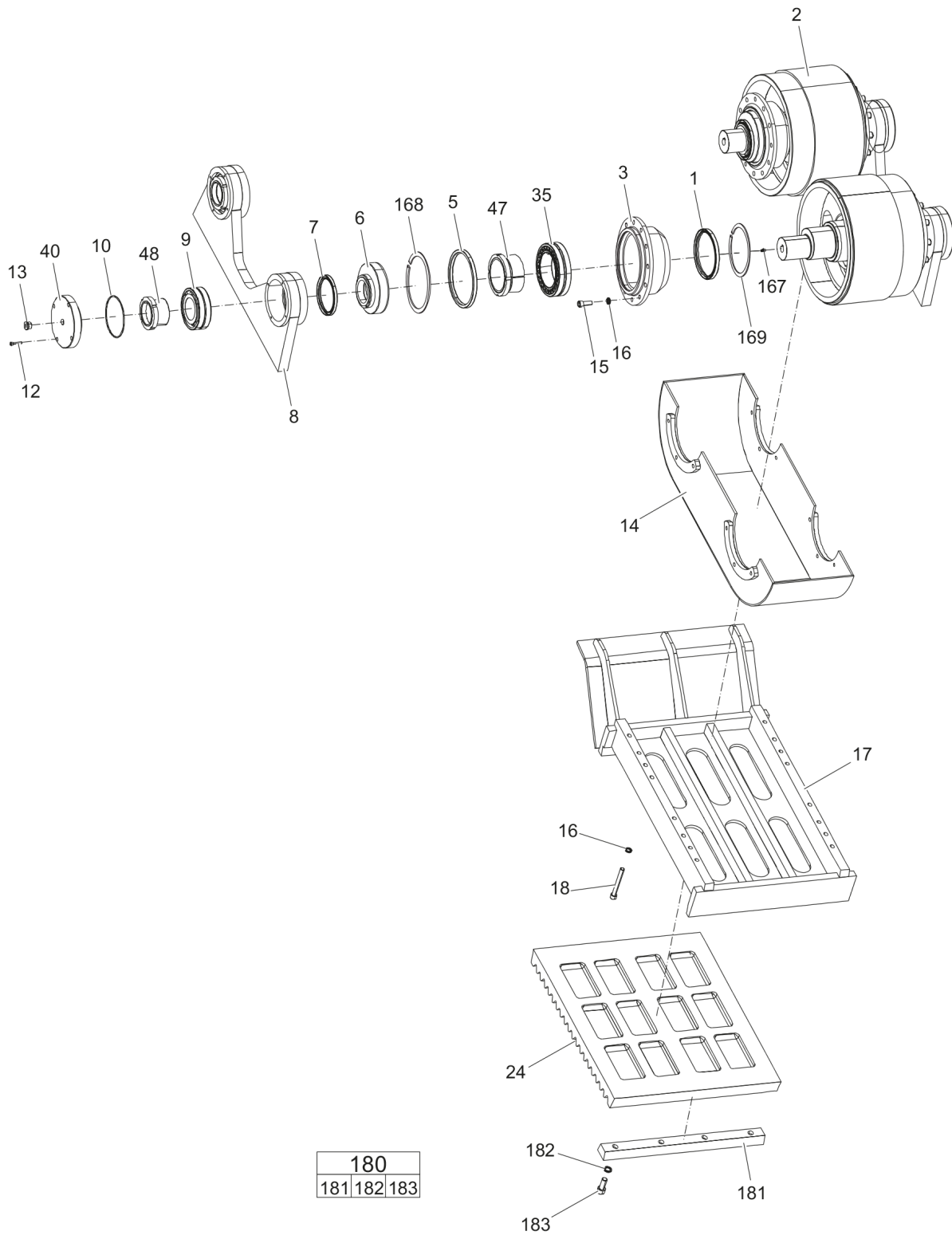
A | The flange item 3 is no longer available. If you need the flange item 3, you have to switch to the new version.

See chapter "Mobile support parallel, new version".

Please note that you have to order item 168 and 169 in addition to the flange item 3.

B | parallel

Mechanical Mobile support cross, new version



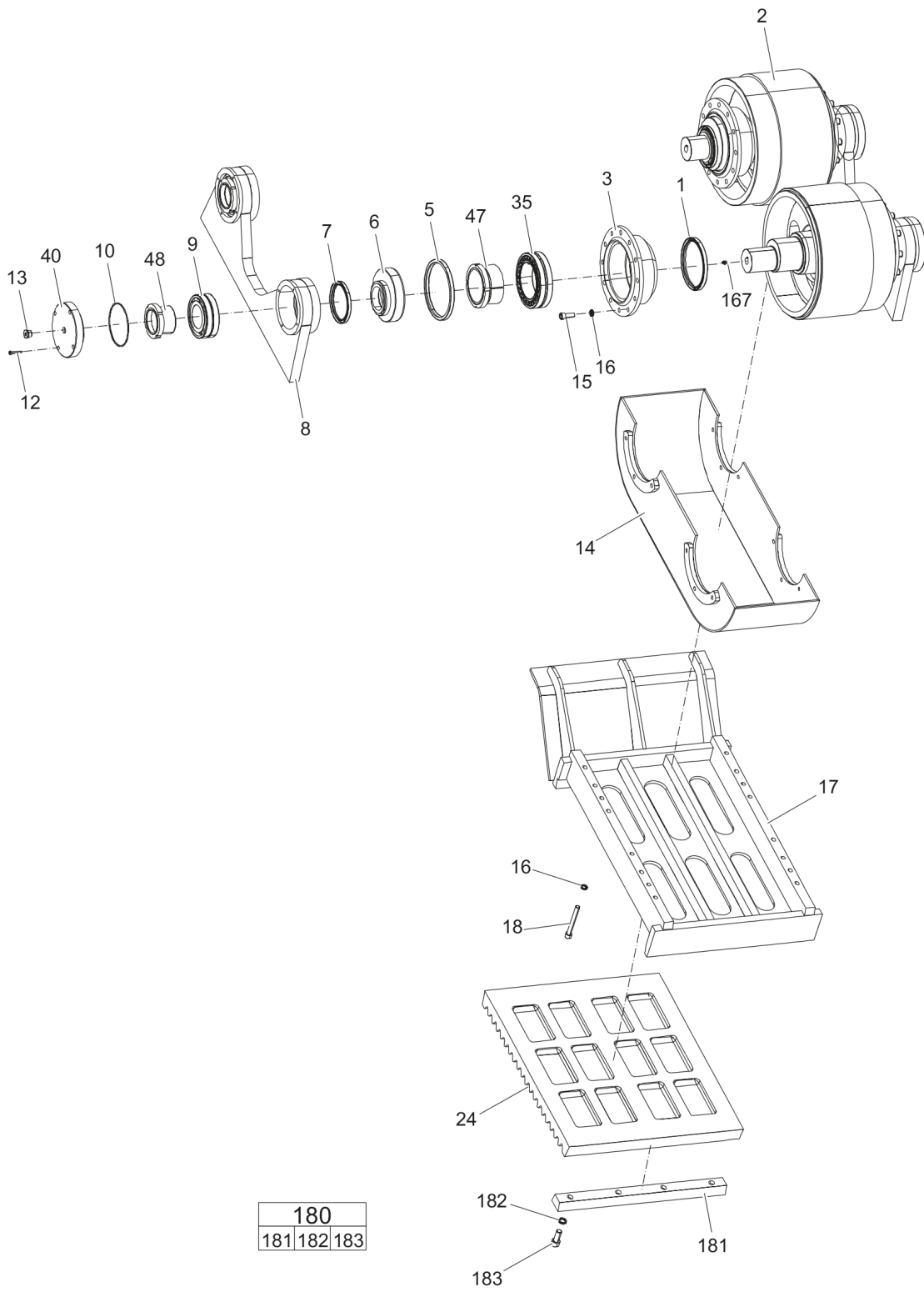
180
181 182 183

Item	Part No.	Name	Qty	L
1	3363118383	Seal	4	
2	3363118387	Drive shaft	2	
3	3363126259	Flange	4	
5	3363118384	Seal	4	
6	3363118390	Seal support	4	
7	3363118385	Seal	4	
8	3363118391	Bridge part	2	
9	3363118392	Bearing	4	
10	3363118393	Seal	4	
12	0211132700	CAP SCREW	16	
13	3363118394	Allen plug	4	
14	3363118395	Transmission housing	1	
15	3363118382	Allen screw	40	
16	3361333703	Pair of lock washers	56	
17	3363118396	Mobile support	1	
18	3363118419	Allen screw	16	
24	3363118436	Jaw	1	A
35	3363118406	Bearing	4	
40	3363118410	Cover	4	
47	3363118413	Sleeve	4	
48	3363118414	Sleeve	4	
167	3363126834	Grease nipple	4	
168	3363126260	Circlip	4	
169	3363126258	Circlip	4	
180(181-183)	3363118374	Wedge complete	1	
181		Wedge	1	
182	3361850748	Pair of lock washers	4	
183	3363094902	Allen screw	4	

Comments for Page: Mobile support cross, new version

A | cross

Mechanical Mobile support cross, old version



180
181 182 183

Item	Part No.	Name	Qty	L
1	3363118383	Seal	4	
2	3363118387	Drive shaft	2	
3	3363118388	Flange	4	A
5	3363118384	Seal	4	
6	3363118390	Seal support	4	
7	3363118385	Seal	4	
8	3363118391	Bridge part	2	
9	3363118392	Bearing	4	
10	3363118393	Seal	4	
12	0211132700	CAP SCREW	16	
13	3363118394	Allen plug	4	
14	3363118395	Transmission housing	1	
15	3363118382	Allen screw	40	
16	3361333703	Pair of lock washers	56	
17	3363118396	Mobile support	1	
18	3363118419	Allen screw	16	
24	3363118436	Jaw	1	B
35	3363118406	Bearing	4	
40	3363118410	Cover	4	
47	3363118413	Sleeve	4	
48	3363118414	Sleeve	4	
167	3363126834	Grease nipple	4	
180(181-183)	3363118374	Wedge complete	1	
181		Wedge	1	
182	3361850748	Pair of lock washers	4	
183	3363094902	Allen screw	4	

Comments for Page: Mobile support cross, old version

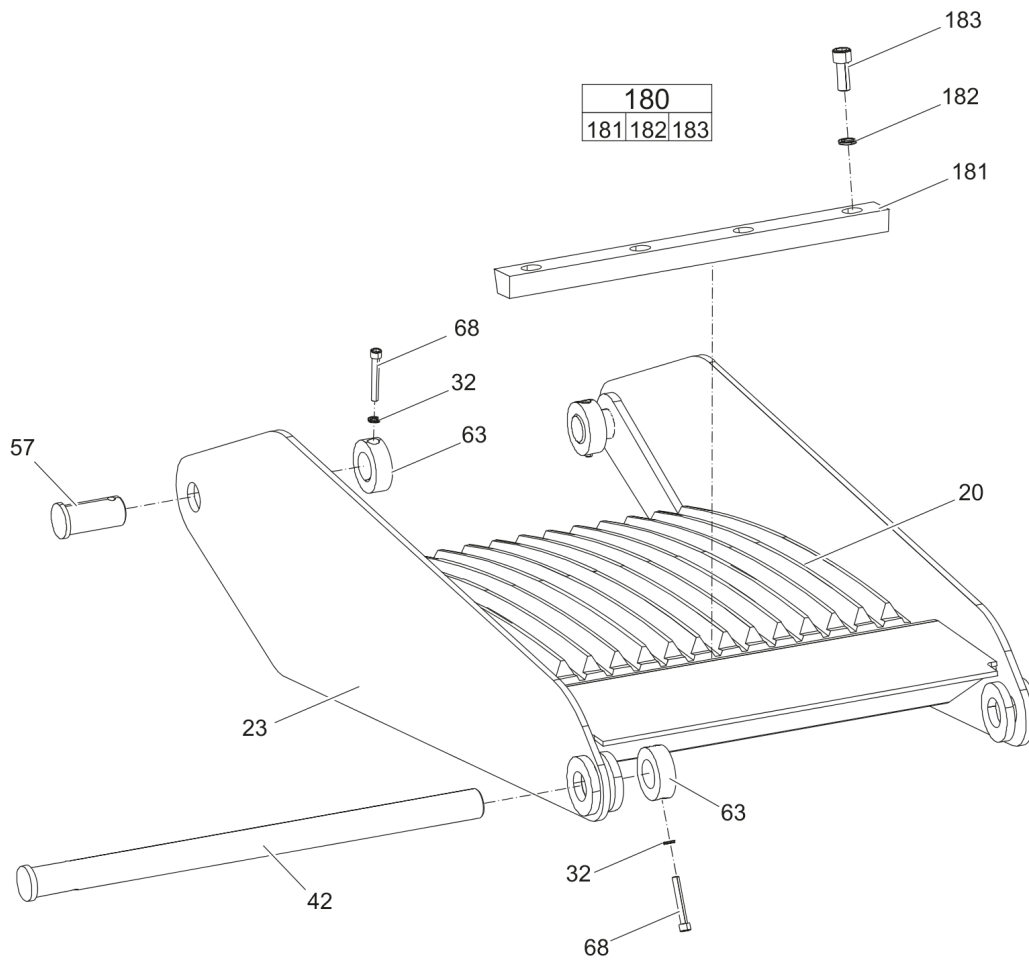
A | The flange item 3 is no longer available. If you need the flange item 3, you have to switch to the new version.

See chapter "Mobile support cross, new version".

Please note that you have to order item 168 and 169 in addition to the flange item 3.

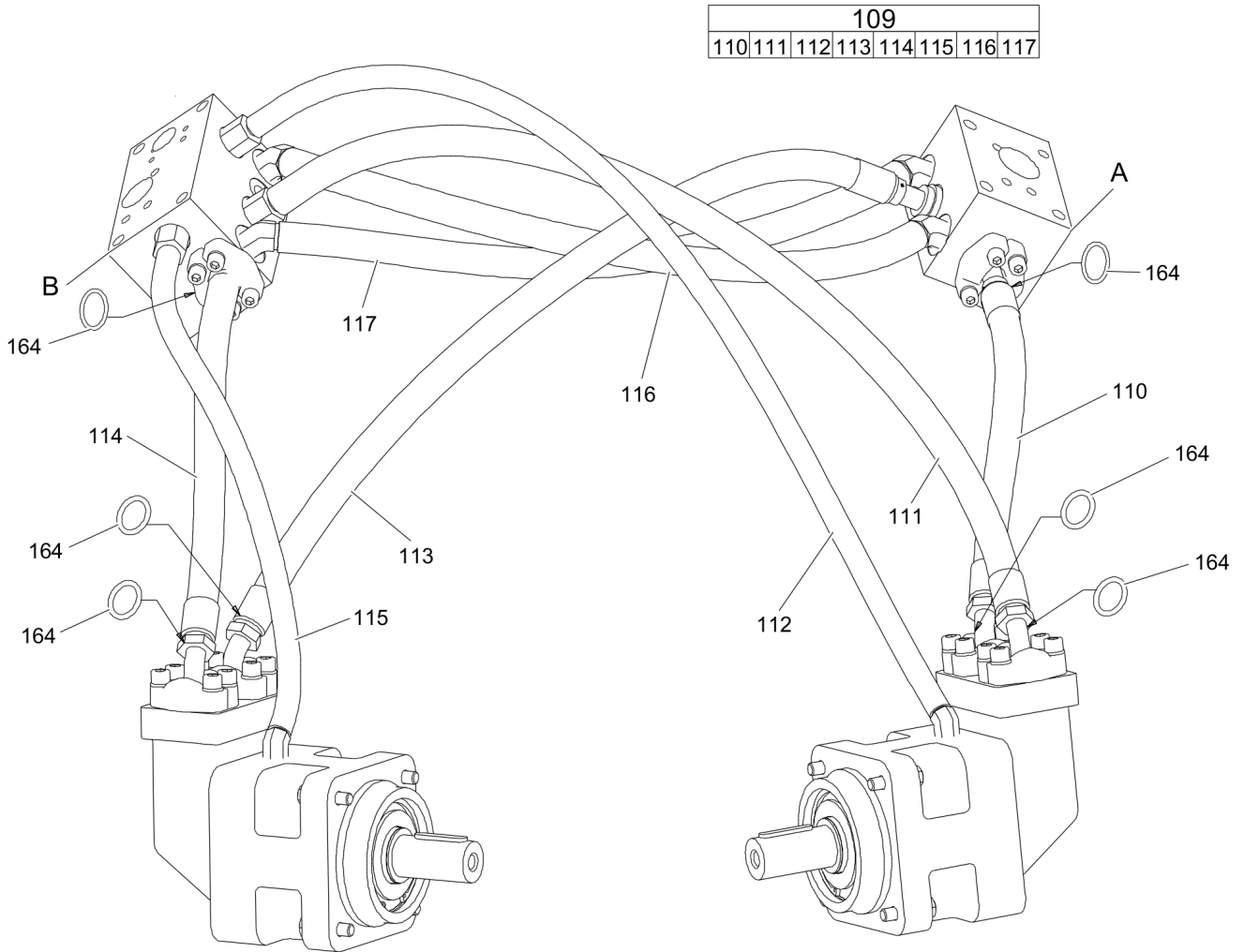
B | cross

Mechanical Lower support



Item	Part No.	Name	Qty	L
20	3363118397	Jaw	1	
23	3363118399	Lower support	1	
32	3361850596	Pair of lock washers	3	
42	3363118411	Bolt	1	
57	3363118418	Bolt	2	
63	3363118421	Screwed washer	3	
68	3362328043	Allen screw	3	
180(181-183)	3363118374	Wedge complete	1	
181		Wedge	1	
182	3361850748	Pair of lock washers	4	
183	3363094902	Allen screw	4	

Mechanical Inner hydraulic hoses



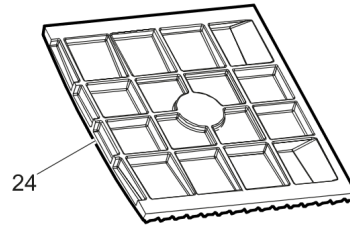
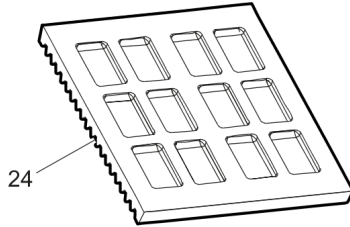
Item	Part No.	Name	Qty	L
109(110-117)	3363118432	Hydraulic hose kit	1	
110	3363118424	Hydraulic hose	1	
111	3363118425	Hydraulic hose	1	
112	3363118426	Hydraulic hose	1	
113	3363118427	Hydraulic hose	1	
114	3363118428	Hydraulic hose	1	
115	3363118429	Hydraulic hose	1	
116	3363118430	Hydraulic hose	1	
117	3363118431	Hydraulic hose	1	
164	3363087665	O-ring	6	

Comments for Page: Inner hydraulic hoses

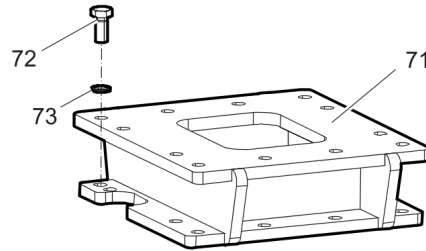
A | Working valve block

B | Return valve block

Mechanical Optional parts



70
71 72 73



Item	Part No.	Name	Qty	L
24	3363118436	Jaw	1	A
24	3363118397	Jaw	1	B
70(71-73)	3363118435	Intermediate plate complete	1	
71		Intermediate plate	1	
72	3363089342	Hexagonal head bolt	12	
73	3361850747	Pair of lock washers	12	

Comments for Page: Optional parts

A | cross

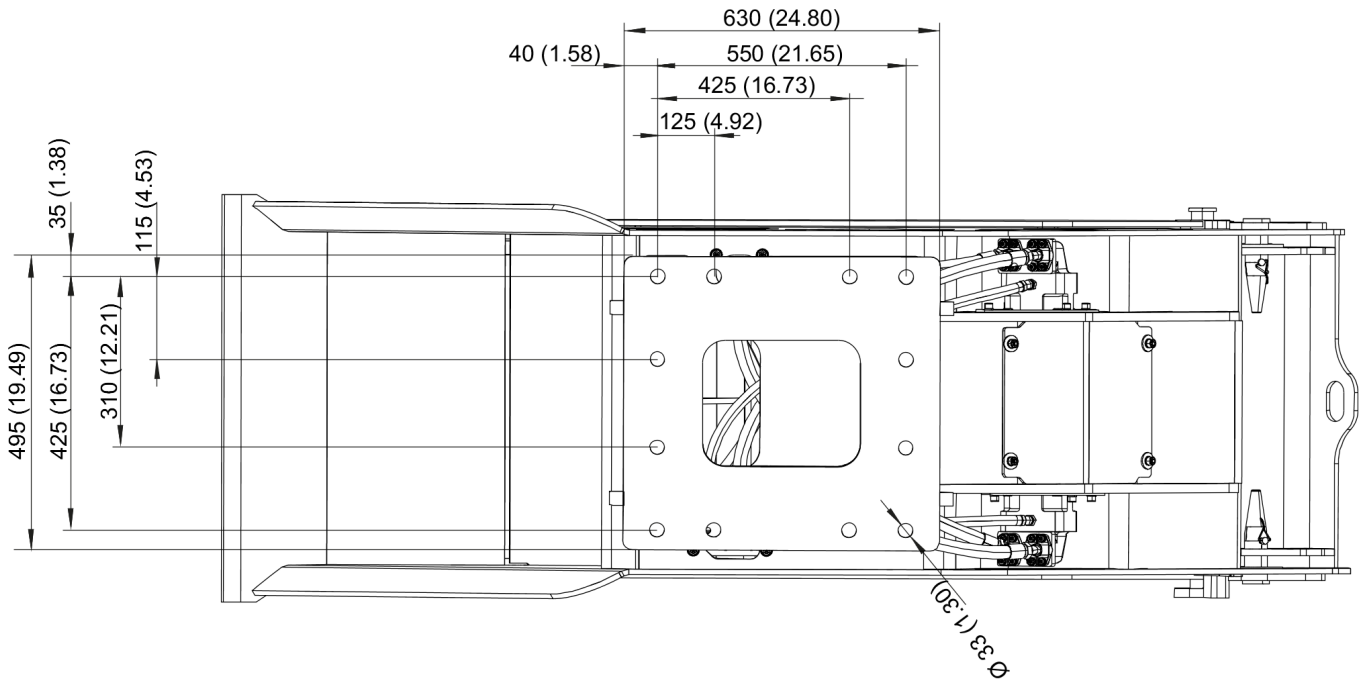
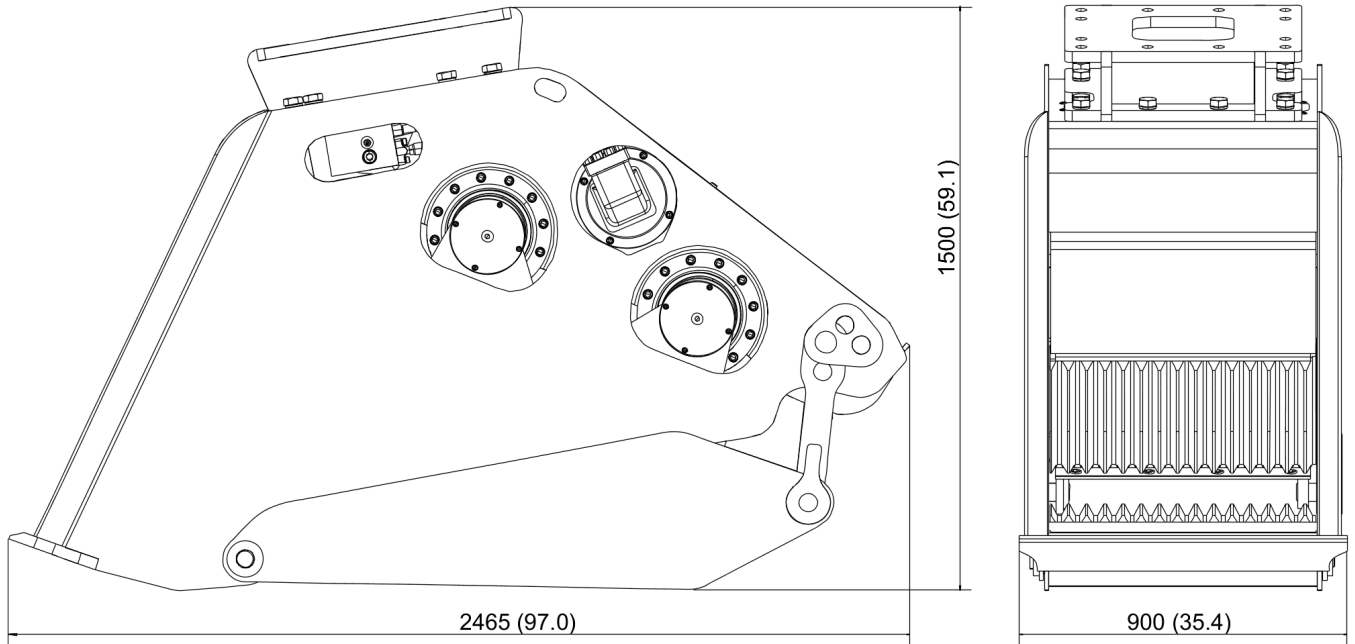
B | parallel

Mechanical Tigthening torques

NO EXPLODED VIEW
AVAILABLE
FOR THIS BOM

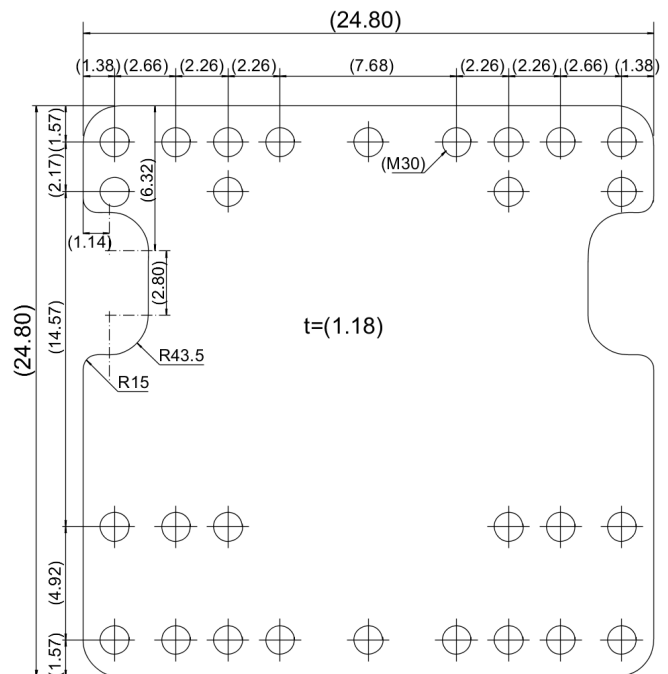
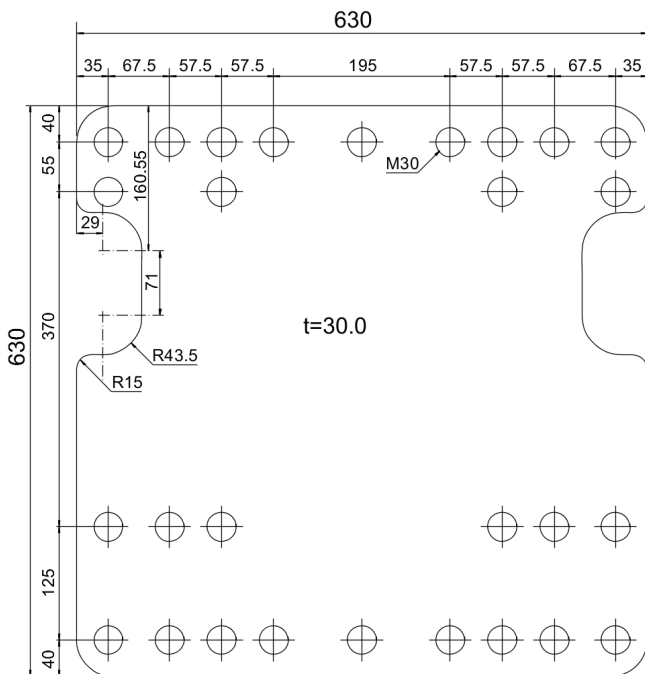
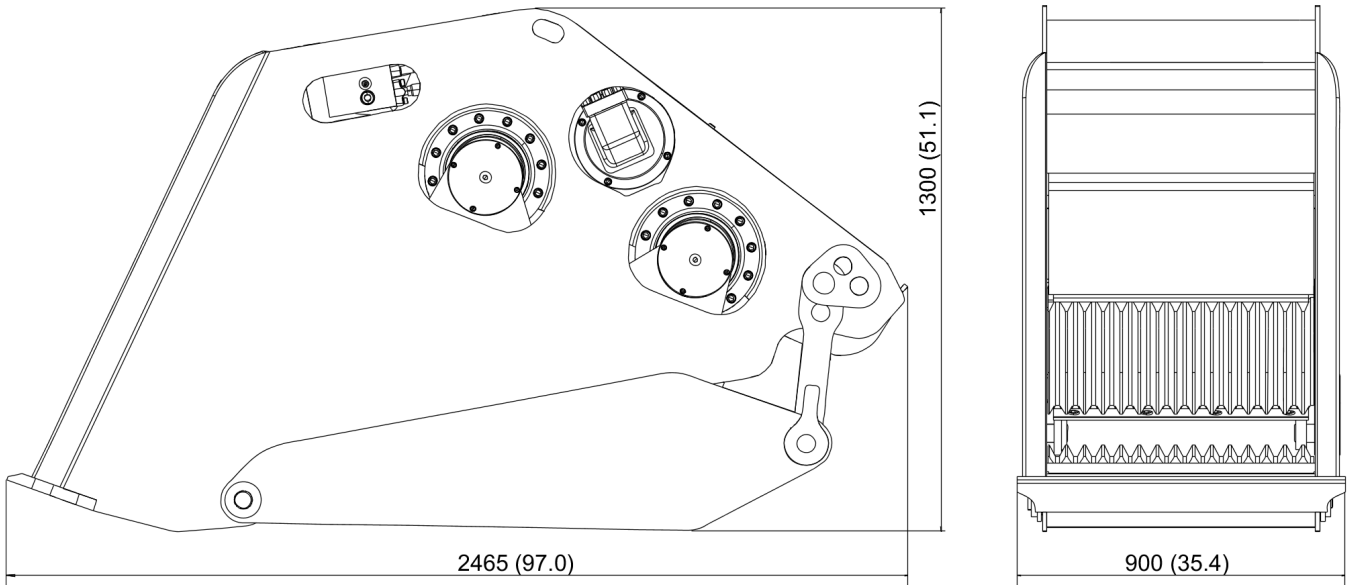
Item	Part No.	Name	Qty	L
11	-	Allen screw - 413 Nm (305 ft lbf)	-	
12	-	Cap screw - 49 Nm (36 ft lbf)	-	
15	-	Allen screw - 285 - 355 Nm (210 - 262 ft lbf)	-	
31	-	Allen screw - 165 Nm (122 ft lbf)	-	
34	-	Allen screw - 165 Nm (122 ft lbf)	-	
36	-	Allen screw - 165 Nm (122 ft lbf)	-	
68	-	Allen screw - 165 Nm (122 ft lbf)	-	
72	-	Hexagon head screw - 1408 Nm (1038 ft lbf)	-	
183	-	Allen screw - 825 Nm (608 ft lbf)	-	

Mechanical Dimensions with intermediate plate



This page intentionally left blank

Mechanical Dimensions without intermediate plate



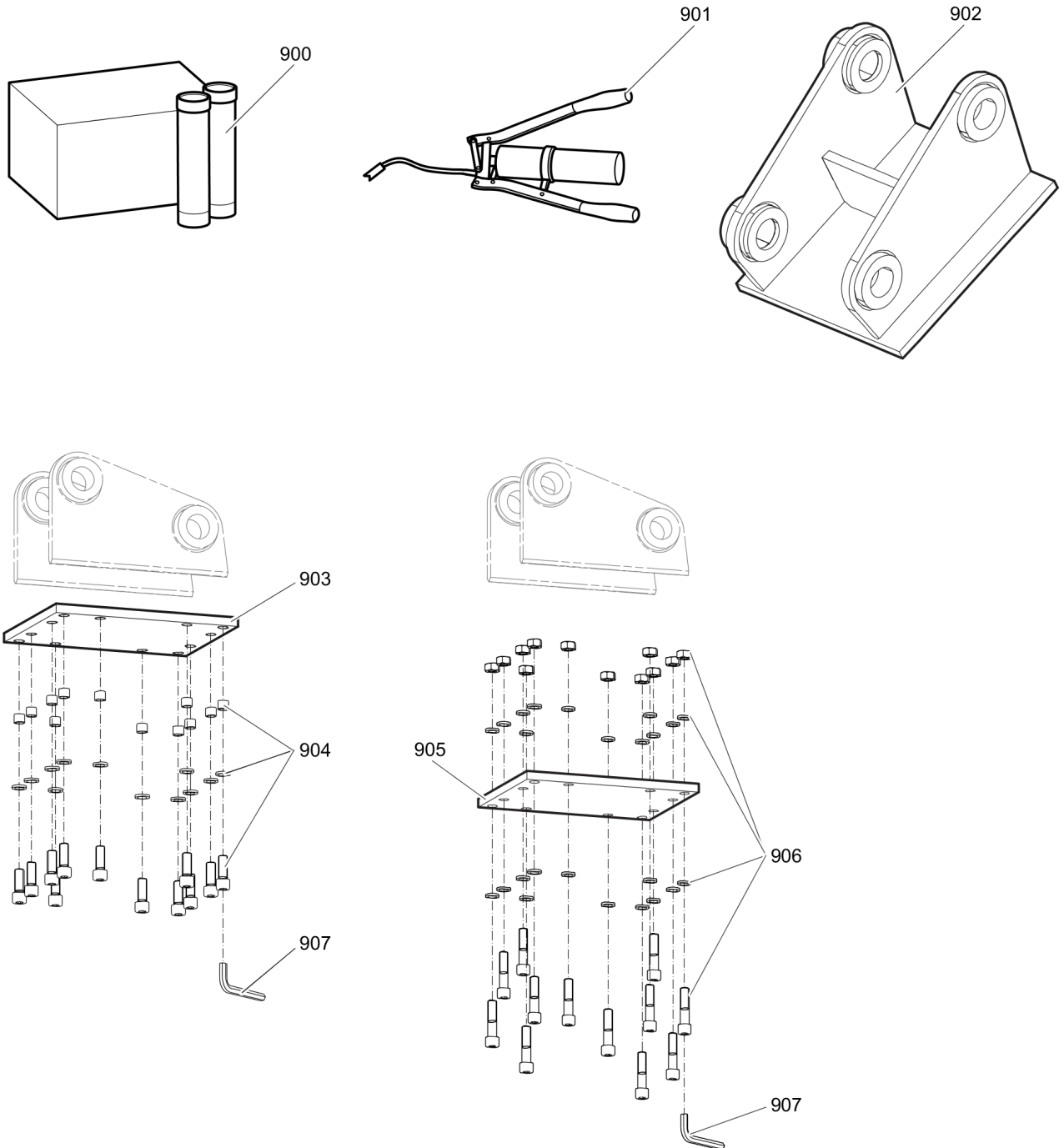
This page intentionally left blank

Options / accessories Hydraulic hoses

NO EXPLODED VIEW
AVAILABLE
FOR THIS BOM

Item	Part No.	Name	Qty	L
Not Shown	-	Connecting hose with flange and cap nut for rotation forwards - backwards		
-	3363118027	Hydraulic hose with flange, I.D. 25 mm , flange SAE 45° 1" 6000 PSI / M42 x 2 conical seal 24°, length 2300 mm (91 in.)	2	
Not Shown	-	Connecting hose for leakage line		
-	3363118028	Hydraulic hose with flange, I.D. 12 mm , flange SAE 45° 1/2" 6000 PSI / M24 x 1.5 conical seal 24°, length 2300 mm (91 in.)	1	

Options / accessories Optional equipment



Item	Part No.	Name	Qty	L
900	3363122250	Free flow grease cartridge, 12 x 400 g (0.88 lb)	1	A
901	0909107100	LUBRICAT.GUN	1	
902		Adapter plate matching the carrier. Consult the authorized Customer Center/Dealer in your area.	1	
903	3363099799	Base plate with threaded inserts	1	B
904	3363087306	Bolt kit	1	
905	3363100697	Base plate with through borings	1	B
906	3363094579	Bolt kit	1	
907	3360209445	Allen key (22 mm)	1	

Comments for Page: Optional equipment

A | Epiroc Free flow grease

B | suitable for versions with intermediate plate

Any unauthorized use or copying of the contents or any part thereof is prohibited.
This applies in particular to trademarks, model denominations, part numbers, and drawings.