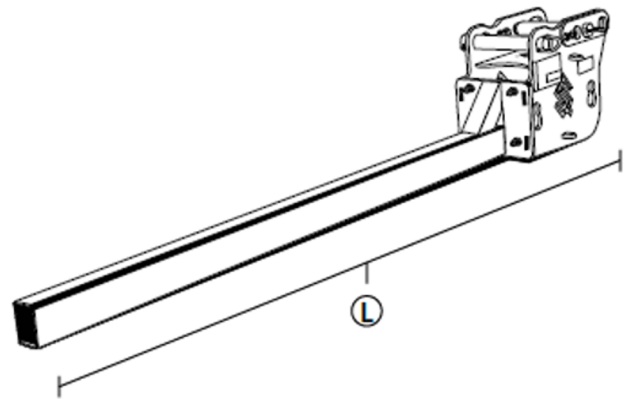
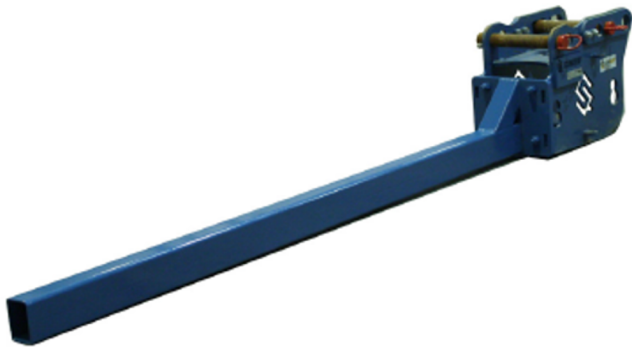
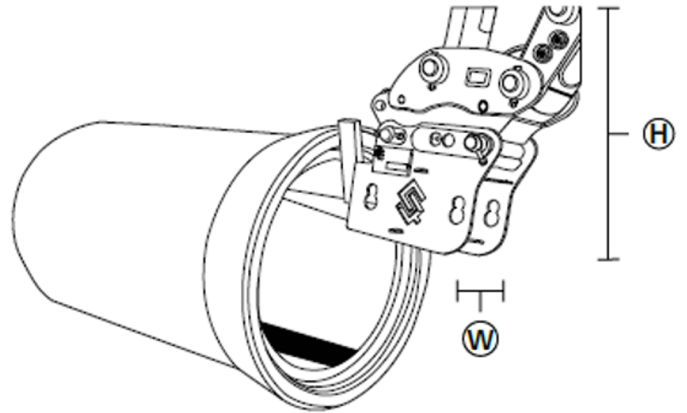


PIPE PROBE



Excavator Pipe Lifter for use with quick hitch or direct to excavator

- 4t WLL
- Pipe insertion pusher heels
- Adjustable pin centres fit most excavators
- 65mm and 80mm pins
- 2.5m pipe length capacity
- 1.8m beam length capacity
- Available for purchase / hire

TECHNICAL DATA

WLL Kg	H mm	W mm	L mm	Wt. Kg	Beam L mm	Cap mm
4000	650	500	2700	300	1800	2500