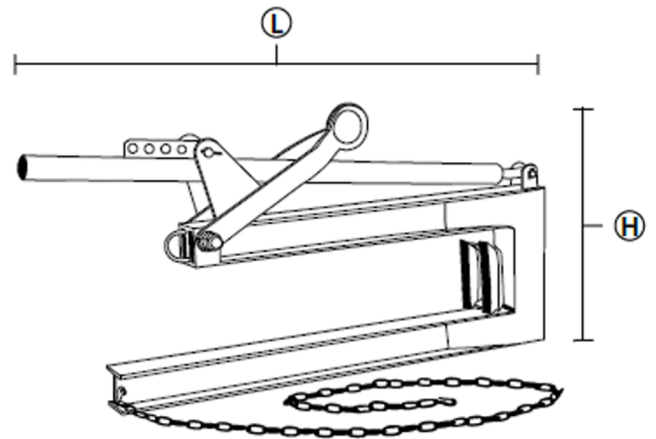
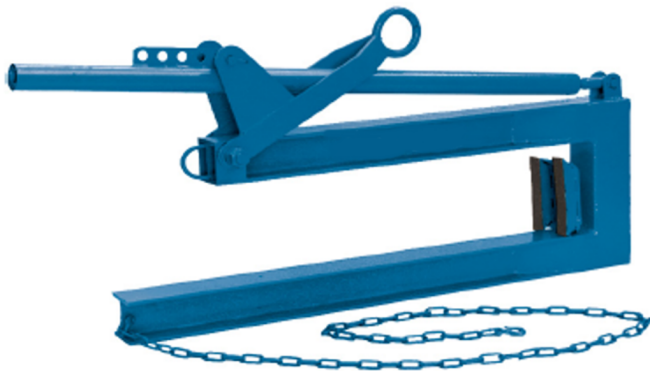




COYLE EQUIPMENT SERVICES LTD

# PIPE LIFTER



Designed to improve safety when transporting or laying pipes. The strong profiled beam will fit all pipes up to 3000mm length.

Safety chains are fitted as standard.

## TECHNICAL DATA

Cap. Kg	Pipe Length mm	H mm	Wt Kg
3000	1000	260	58
3000	3000	260	300