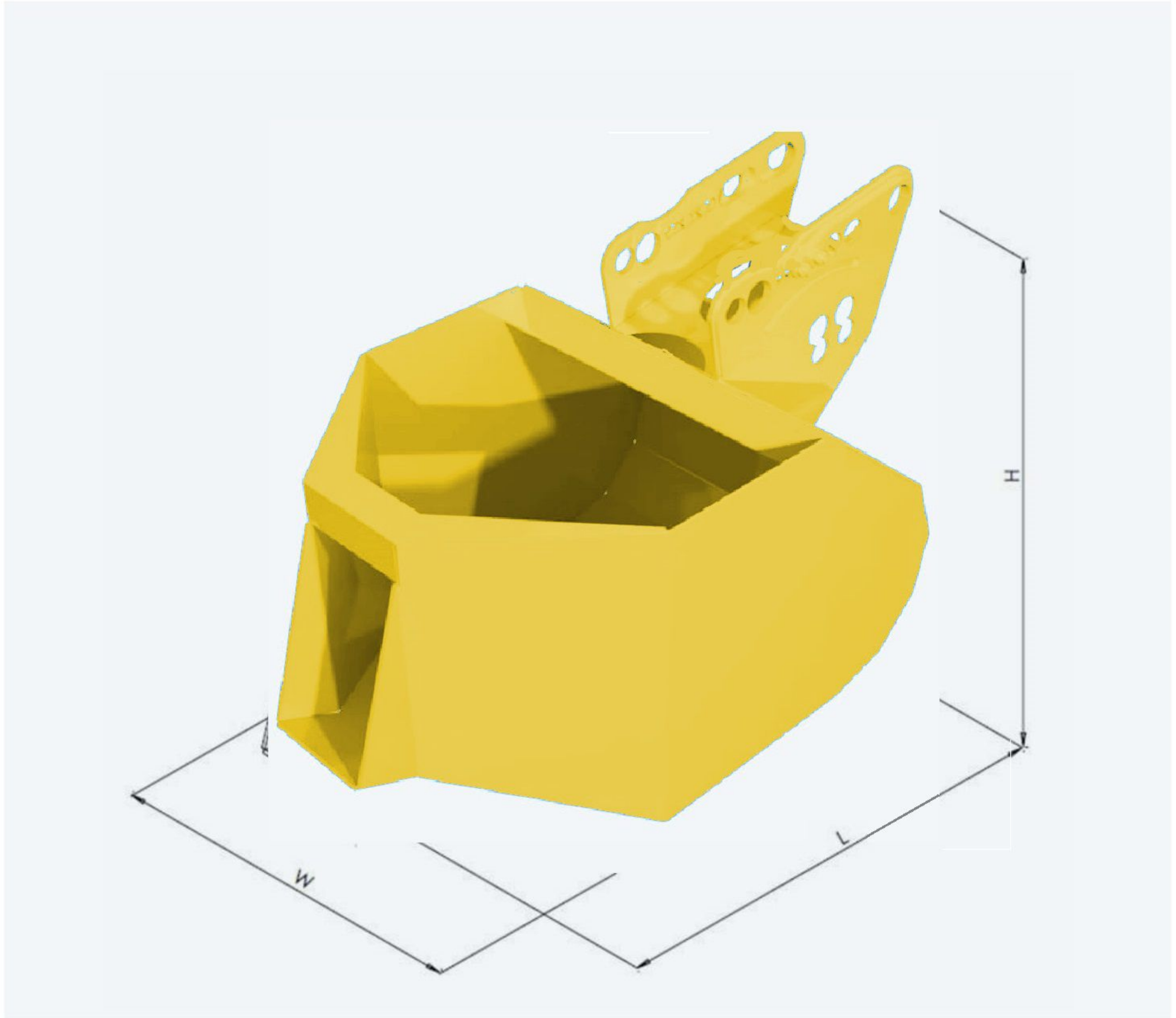


Excavator Pouring Bucket Specification



Product Code	Height	Length	Width	Working Load Limit	Approx Weight	Capacity	Pin Sizes
EA014AB-00700	1210mm	1775mm	1020mm	2100kg	380kg	700 litres	65mm 80mm

The Excavator Pouring Bucket is designed to pour concrete when attached to an excavator. The concrete is discharged straight into the bucket from a concrete lorry, or similar, and can then be poured into the required area. It is especially beneficial for small sites and civils works, where a concrete skip or concrete pump are not required.

It can be used to pour other materials, such as loose gravel, but has been designed to be loaded by another piece of machinery – it is not designed to scoop material from a stockpile on the ground.