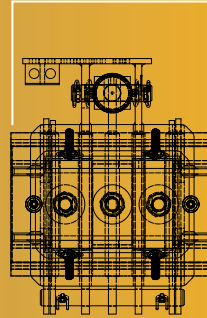


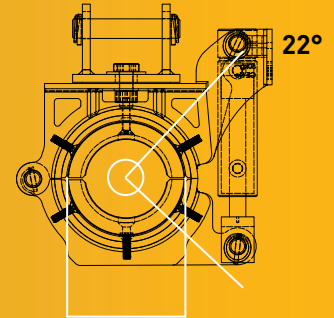
INNOVEX

DELIVERING INNOVATION WORLDWIDE

310mm



46 KG



335mm

INNOVEX PIPE PUSHER™

Changing the way pipes and cables are inserted throughout the utilities sector. The Innovex Pipe Pusher excavator attachment offers a safer and more compliant way of inserting new PE pipe, approved to work on both live and dead insertion. By simply attaching the Pipe Pusher™ to the excavator arm you take away the manual handling and injury risks associated with pipe insertion.

The Pipe Pusher™ is fully operated from the safety of the excavator cab. The Pipe Pusher Mini is compatible for the use with the large majority of excavators from 5T up to 20T and can also be used for slip lining / maneuvering & re-rounding pipe diameters up to 400mm.

BENEFITS

- Quick, simple installation and mounting
- Durable & robust, harsh environments and conditions
- Faster, Safer / dead insertion
- Longer sections of pipe can be inserted
- Action can be reversed to pull back if an obstruction in met, not possible with other insertion methods
- The 400mm model comes with shim inserts for pipe diameters of 250mm, 315mm and 355mm, giving the best possible gripping and releasing system across the market even in wet conditions
- Lightweight and compact design for ease of storage and transportation
- Reduces manual handling & is a safer / more compliant way of inserting PE Pipe
- Simple to operate – no special labour required
- The 400mm model can attach onto 5, 8, 13 and 20 tonne excavators depending on project

SIZES

> 400mm

Bespoke Models available, designed to accommodate clients specialist requirements.

400mm pusher includes 250mm, 315mm and 355mm shims.

All shims are manufactured by Innovex and can be ordered to suit pipe sizes required.

INNOVEX

DELIVERING INNOVATION WORLDWIDE

**Trenchless
Technology You Can
Trust.**